



**WCF-710**

CONTINUOUS FLAKER  
ICE MAKER



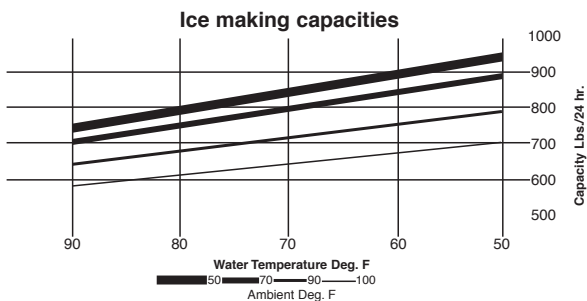
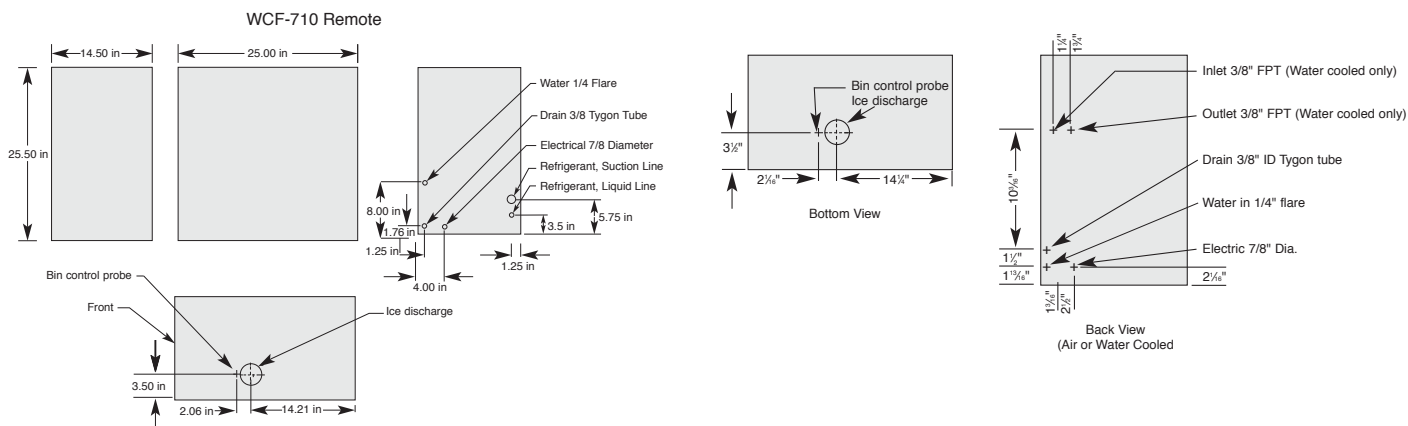
Ice storage bin sold separately.

## **FEATURES:**

- Makes up to 875 lbs of flaked ice per day
- Corrosion free stainless steel exterior
- Compact design — only 14.5" wide
- Reliable performance
- Environmentally friendly R404a refrigerant

PART NUMBER	MODEL NUMBER	CONDENSER	PRODUCTION 70°/50°	SHIPPING WEIGHT	ELECTRICAL	VOLTAGE RANGE
569200005	WCF-710A	Air	875 lb (398 kg)	163 lb (74 kg)	115 V / 60 Hz	110-126 V
569200006	WCF-710W	Water				
569200080	WCF-710R*	Remote				

\*WCF-1101R Remote requires WC1 Condenser and Line Set



## TECHNICAL SPECIFICATIONS:

DESCRIPTION..... Continuous ice flaker  
 COMPRESSOR..... 3/4 HP  
 REFRIGERANT..... CFC-Free, R-404A  
 MINIMUM CIRCUIT..... 20 Amps  
 CABINET CONSTRUCTION..... Stainless steel

DIMENSIONS..... 24.5"H x 14.5"W x 25"D  
 (62.23 cm x 36.83 cm x 63.50 cm)  
 OPERATING WEIGHT..... 152 lb (69 kg)

AGENCY LISTINGS.....   



© 2011 IMI CORNELIUS

IN THE U.S.A.  
 Ph: 800.238.3600  
 Fax: 800.258.0255

OUTSIDE THE U.S.A.  
 Ph: 763.488.8200  
 Email: webmaster@cornelius.com

101 Broadway Street West  
 Osseo, MN 55369  
 www.cornelius.com

For more information or to place an order, contact your sales representative or authorized distributor.