



WCC-1401 CHUNKLET ICE MAKER



AIR COOLED UNIT PICTURED.
ICE DRINK UNIT SOLD SEPARATELY.

FEATURES & BENEFITS:

Makes high quality, dry chunklet ice:

- Chewable ice that melts slower and can be reliably dispensed

Large production capacity:

- Ideal for use in demanding, high volume applications

Volume production 24 hour:

- Air 1290 lbs 70/50° F
- Remote 1100 lbs 70/50° F

Dual drop system:

- Evenly fills bin or hopper providing reliable dispensing
- No costly deflectors or kits needed

30" wide cabinet design (air version):

- Easily adapts to beverage dispensers

Slip in graphics capability:

- Superior customer attraction promotes fountain sales

High grade stainless steel construction:

- Durable, corrosion free
- High quality foodservice look

Uses 100% of incoming water in ice making process:

- Lower operating cost

Remote condenser model removes heat from building:

- Saves money on utility costs

No harvest cycle:

- Less noise than cuber

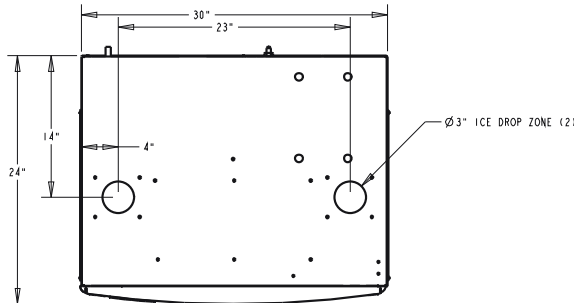
Front panel control box access:

- Ease of service

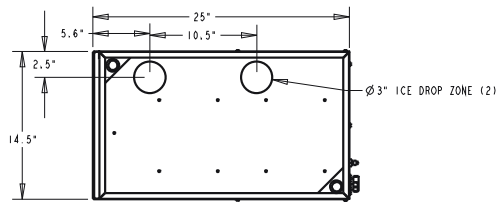
WCC-1401A (AIR COOLED)			
Capacity Lb./24 hr.	Water Temp. Deg. F		
Air Temp. Deg. F	50	70	80
70	1290	1130	1090
80	1230	1100	1060
90	1170	1040	1020

WCC-1401R* (REMOTE COOLED)			
Capacity Lb./24 hr.	Water Temp. Deg. F		
Air Temp. Deg. F	50	70	80
70	1100	1000	950
80	1075	975	925
90	1050	950	850

WCC-1401A

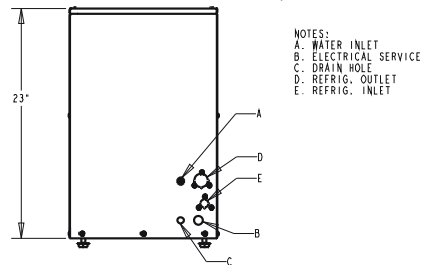
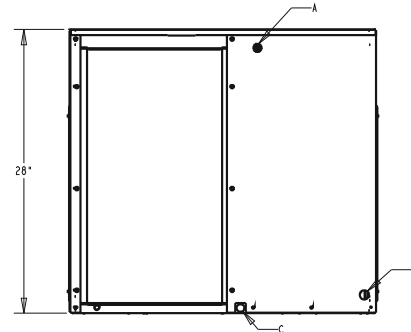


WCC-1400R



Bottom Views

*55 ft. line set



NOTES:
A. WATER INLET
B. ELECTRICAL SERVICE
C. DRAIN HOLE
D. REFRIG. OUTLET
E. REFRIG. INLET

Back Views

PART NUMBER	MODEL NUMBER	DESCRIPTION	BTUH	SHIPPING WEIGHT	VOLTAGE RANGE
632000003	WCC-1401A	1401 Series Modular Chunklet, Air Cooled	18000	320 lb	208-230/60/1
632000001	WCC-1400R	1400 Series Modular Chunklet, Remote Cooled	n/a	148 lb	115/60/1
632000002	WCU-1401	Remote Condenser for WCC-1401R	18000	168 lb	208-230/60/1

TECHNICAL SPECIFICATIONS:

DESCRIPTION..... Continuous compressed ice maker
ICE SIZE..... 1/2" x 1/2" Chunklet
COMPRESSOR..... 1.5 HP
REFRIGERANT..... CFC-Free, R-404A
VOLTAGE..... 115V / 60Hz
220-230V / 60Hz
MINIMUM CIRCUIT..... 20 Amps
POWER CONSUMPTION..... Air: 4.3 kWh / 100 lb
Remote: 4.0 kWh / 100 lb

WARRANTY..... 2 years parts and labor
5 years compressor

DIMENSIONS..... WCC-1401A:
30"W x 24"D x 28"H
WCC-1400R:
14.5"W x 25"D x 23"H
WCU-1401:
30"W x 25"D x 26.5"H

UNIT CONNECTIONS..... Water Inlet:
1/4" SAE male flare
Drain: 3/8" ID flexible tube
Power Access:
7/8" dia. knockout

CONSTRUCTION..... Cabinet:
Stainless Steel
Remote Condenser:
Galvanized

AGENCY LISTINGS.....

