



Item No. \_\_\_\_\_

# 60

## Shake Freezer

Four Flavor

### Features

Offer four separate shake flavors: chocolate, strawberry, vanilla (unflavored shake mix) and an optional flavor.

### Freezing Cylinder

One, 7 quart (6.6 liter).

### Mix Hopper

One, 20 quart (18.9 liter). Separate hopper refrigeration (SHR) maintains mix below 41°F (5°C).

### Indicator Lights

Add Mix light alerts the operator to add mix. When the Mix Out light flashes, the unit automatically shuts down to prevent damage.

### Accurate Consistency Control

Torque control precisely maintains superior shake quality in texture, viscosity and taste.

### Shake Syrup System

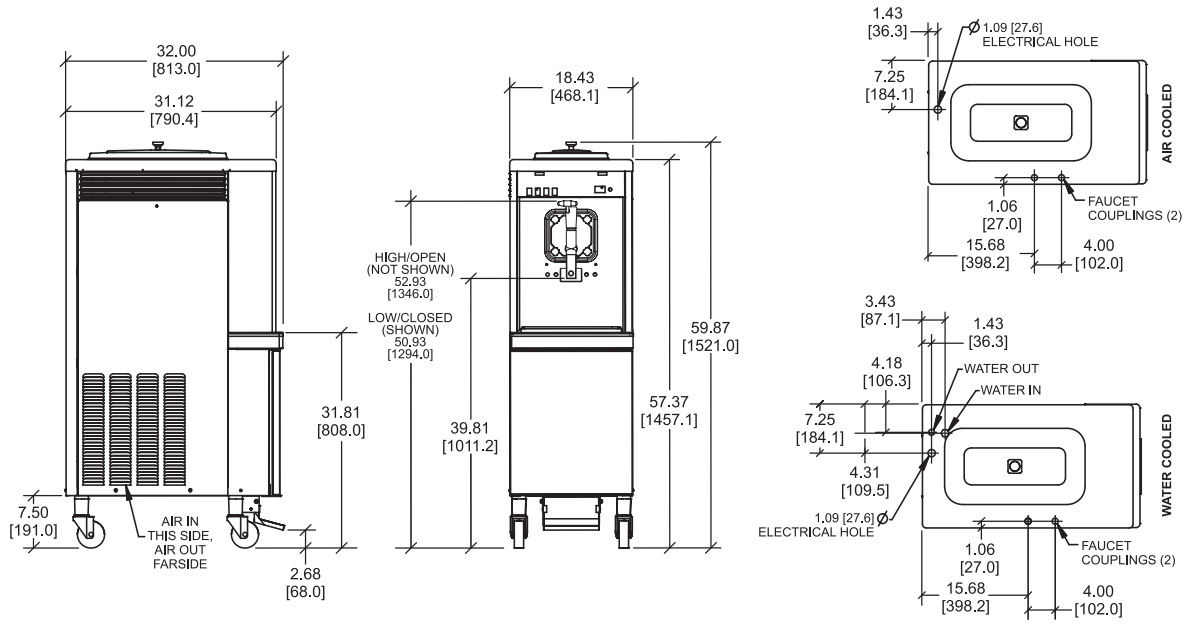
Shake flavors are selected from push buttons. Self-contained air compressor delivers shake syrup from three, 1 gallon (3.8 liter) syrup tanks located in the lower front compartment. Use only single strength syrup, free from pulp and seeds.

### Automatic Dispensing

Press the desired flavor button, and either raise the draw handle or use the foot pedal for hands free dispensing. Frozen shake mix and syrup automatically blends to dispense the chosen flavor. Press the Rinse button to eliminate flavor carryover. Rinse water connection under unit is 3/8" FPT.

### Two Locking Casters

Front casters have a locking feature for operators to keep equipment in place. The lock can be released to move the equipment for cleaning.



TOP VIEW - OPERATOR END  
ALL CONNECTIONS LOCATED UNDERSIDE OF BASE.

FIGURES IN BRACKETS INDICATE MILLIMETERS / DECIMAL AND FRACTIONAL DIMENSIONS EQUAL TO ( PLUS OR MINUS 1/16 INCH [1.5mm] ).

| Weights         | lbs.    | kgs.   |
|-----------------|---------|--------|
| Net             | 520     | 235.9  |
| Crated          | 531     | 240.9  |
| Volume          | cu. ft. | cu. m. |
|                 | 36      | 1.0    |
| Dimensions      | in.     | mm.    |
| Width           | 18-7/16 | 468    |
| Depth           | 32-1/2  | 826    |
| Height          | 59-7/8  | 1521   |
| Floor Clearance | 7-1/2   | 191    |

\*Mounted on standard casters

| Electrical         | Maximum Fuse Size | Minimum Circuit Ampacity | Poles (P) Wires (W) |
|--------------------|-------------------|--------------------------|---------------------|
| 208-230/60/1 Air   | 30                | 23                       | 2P 3W               |
| 208-230/60/1 Water | 30                | 23                       | 2P 3W               |
| 208-230/60/3 Air   | 20                | 16                       | 3P 4W               |
| 208-230/60/3 Water | 20                | 16                       | 3P 4W               |

This unit may be manufactured in other electrical characteristics and may have additional regulatory agency approvals. Consult the local Taylor Distributor for other electrical characteristics and agency approvals based on specific electrical and country requirements.

(For exact electrical information and approval marks, always refer to the data label of the unit.)

**Continuing research results in steady improvements; therefore, these specifications are subject to change without notice.**

**Bidding Specs**

Electrical: Volt \_\_\_\_\_ Hz \_\_\_\_\_ ph \_\_\_\_\_  
Neutral: Yes No **Cooling:** Air Water NA

Options: \_\_\_\_\_

**Authorized Taylor Distributor**

**Specifications**

**Electrical**

One dedicated electrical connection is required. See the Electrical chart for the proper electrical requirements. Manufactured to be permanently connected. Consult your local Taylor distributor for cord & receptacle specifications as local codes allow.

**Beater Motor**

One, 1.0 HP.

**Refrigeration System**

One, 11,000 BTU/hr. R404A.  
Separate Hopper Refrigeration (SHR), One, 400 BTU/hr. R134A. (BTUs may vary depending on compressor used.)

**Air Cooled**

Minimum Clearance: 6" (152.4 mm) around all sides. Minimum air clearances must be met to assure adequate air flow for optimum performance.

**Water Cooled**

Water inlet and drain connections under side of base 3/8" FPT.

**Options**

- Panel Spinner



750 N. Blackhawk Blvd.  
Rockton, Illinois 61072  
[www.taylor-company.com](http://www.taylor-company.com)