

CBEN061



6 x 1/1 GN

Item

6 - 12 x 20"



LCD 7" Touch Screen

One Touch

Automatically and with only a single touch, you can access the ideal and most efficient cooking for each dish, due to the exclusive present and widely tested methods, times and system. A wide range of cooking methods is already tested in the field by a highly qualified group of workers.



MULTILEVEL



ECOSPEED



JUST IN TIME



GFT
(only for gas models)



AUTOCLIMA



LCS CLEANING SYSTEM
COMBI CLEAN
CALFREE (*)



FAST-DRY



CLOUD EVOLUTION



ECOVAPOR



CHEF PORTAL



TURBOVAPOR (*)



SYNCHRONISATION



REMOTE SERVICE



VIDEO RECIPES

(*) only for models with boiler

COOKING MODES

- ICS (Interactive Cooking System), an automatic cooking system for Italian, French, International, Spanish, Russian, Asian and German recipes including their history, ingredients, procedure, automatic cooking program and plate presentation
- Manual cooking with three cooking modes: Convection from 30°C to 300°C (86°F to 572°F), Steam from 30°C to 130°C (86°F to 266°F), Combination Convection + Steam from 30°C to 300°C (86°F to 572°F).
- Programmable modes - Possibility to program and save cooking methods in an automatic sequence (up to 15 cycles) giving each program its own name, picture and information on the recipe

OPERATION

- DISPLAY that can be configured based on the needs of the user, bringing forward the programs used most
- LAINOX Cloud Wi-Fi/Ethernet connection system for saving personal settings, software updates, HACCP data archiving and downloading new recipes
- Automatic "one touch" cooking (ICS)
- Organization of recipes in folders with preview, giving each folder its own name
- Intelligent recognition of recipes in multilevel folders
- 7" colour screen (LCD - TFT) that is high definition and capacitive with "Touch Screen" functions
- SCROLLER PLUS knob with Scroll and Push function for confirming choices
- Instantaneous display in ICS cooking of the HACCP graphic

CBEN061

CLEANING AND MAINTENANCE

- Self-diagnosis before starting to use the equipment, with descriptive and audible signalling of any anomalies
- Automatic LCS (Liquid Clean System) with COMBICLEAN liquid cleanser and CALFREE liquid descaler, in 100 % recyclable cartridges
- CALOUT descaling system that prevents formation and accumulation of limescale in the boiler, with separate container and automatic dispensing of CALFREE liquid descaling product
- Manual cleaning system with external hand shower (optional)

CONTROL EQUIPMENT

- Autoreverse (automatic reverse of fan rotation) for perfect cooking uniformity
- Automatic parallel compartment and core temperature control, DELTA T system
- Automatically regulated steam condensation
- Programmable deferred cooking
- 2 fan speeds, the reduced speed activates the reduction in heating power
- For special cooking methods, you can use an intermittent speed
- Temperature control at the product core using probe with 4 detection points
- 2 core probe, a LAINOX exclusive
- Core probe connection through a connector outside of the cooking chamber, with the ability to quickly connect the needle probe for vacuum cooking and small pieces
- USB connection to download HACCP data, update software and load/unload cooking programs
- Ready for SN energy optimization system (optional)
- SERVICE program for: Inspecting the operation of the electronic board and display of the temperature probes - Appliance operation timer for all primary functions for programmed maintenance
- ECOSPEED - Based on the quantity and type of product, Naboo optimizes and controls the delivery of energy, maintains the correct cooking temperature, preventing any fluctuations (-10% energy / -30% water / -5% weight loss *)
- ECOVAPOR - With ECOVAPOR system there is a definite reduction in water and energy consumption due to the automatic controls of the steam saturation in the cooking chamber (-10% energy / -30% water / -10% steam *)
- TURBOVAPOR - With the TurboVapor system it automatically produces the ideal level of steam to cook "tough" products like egg pasta or asparagus, turnip greens and chard, which are notoriously fibrous vegetables

CONSTRUCTION

- IPX5 protection against sprays of water
- Perfectly smooth, watertight chamber
- Door with double tempered glass with air chamber and interior heat-reflecting glass for less heat radiation towards the operator and greater efficiency
- Internal glass that folds to open for easy cleaning
- Handle with left or right hand opening
- Adjustable hinge for optimal seal
- Deflector that can be opened for easy fan compartment cleaning

ELECTRIC HEATING SYSTEM

- Cooking compartment heating elements of armoured INCOLOY 800 type

STEAM GENERATOR

- AISI 304 fully insulated steam generator
- Steam generator heating elements of armoured INCOLOY 800 type
- Automatic boiler pre-heating
- Daily automatic boiler draining (temperature of drained water below 60°C) and rinsing
- Alarm in case of boiler de-scaling required
- Boiler semi-automatic de-scaling program
- CAL-OUT system to prevent scale build-up within the boiler, as standard

SAFETY FEATURES

- Cooking compartment safety thermostat
- Cooking compartment safety device for pressure built-up and depression
- Fan motor thermic protection
- Mechanical door switch
- Lack of water displayed alarm
- Self-diagnosis and fault display
- Component cooling system with overheat display control
- Boiler safety thermostat
- Boiler water level probes
- Boiler probe to check boiler completely empty

STANDARD EQUIPMENT

- Automatic cleaning system LCS Liquid Clean System - equipped with 1 tank of COMBICLEAN detergent, 4,5 kg. (9.9 Lbs.)
- CALOUT descaling system - equipped with 1 tank of anti-scale product CALFREE, 4,5 kg. (9.9 Lbs.)
- Wi-Fi connection
- Multipoint core probe Ø 3 mm (Ø 0.12")
- 2 stainless steel grids 1/1 GN (12x20")

OPTIONAL - TO BE REQUESTED WHEN ORDERING OVEN

- Opposite hinged door
- Double release door opening
- Extra charge for energy saving system connection
- Extra charge for Ethernet connection

* Compared to our previous model

CBEN061

ACCESSORIES

- Needle core probe - \varnothing 1 mm. (\varnothing 0.04")
- Multiprobes system - 2 multipoint core probes - \varnothing 3 mm. (\varnothing 0.12")
- Wash shower with fittings and attachments
- Fat filter
- Set of feet h - 150 mm (5.90")
- Stainless steel heat shield for the unit right side panel (essential when the oven is positioned next to heat sources)
- Stainless steel floor stand
- Special floor stands for insertion of the blast chiller
- Side runners
- Neutral cabinet with doors and side runners
- Neutral cabinet with door
- Stainless steel shelf
- Flanged feet kit for floor stands, for marine installations
- Castor kit for floor stand, 2 with brake
- Installation frame for Hood h - 150 mm (5.90")
- Marine Version Kit. Flanged feet - Door immobilizing lock - Special rack rails

TECHNICAL DATA

Chamber capacity	GN	6 x 1/1	Total electric power	kW	8,25
	No. - Inch.	6 - 12 x 20"			
Distance between layers	mm	60	Gas versions nominal heating output	kW / kcal	- / -
	Inch	2.36		kW / BTU	- / -
Number of meals		30 / 80	Chamber heating output	kW / kcal	8 / -
				kW / BTU	8 / -
External dimensions	mm	875 x 650 x 705 h	Steam heating output	kW / kcal	6 / -
	Inch	34.45 x 25.59 x 27.76" h		kW / BTU	6 / -
Dimensions with packing	mm	900 x 765 x 810 h	Fan power	kW	0.25
	Inch	35.43 x 30.12 x 31.89" h			
Weight - Net / Gross	kg	97 / 110	Power supply voltage	V - 60 Hz	3ph / 208
	Lbs.	213.85 / 242.51			
			Consumption	Amps	23

Special voltages and frequencies upon request

The data reported in this document is to be considered non-binding. Lainox ALI S.p.A reserves the right to make changes at any time, without prior notice



Electric power supply cable inlet



Gas inlet and type of thread



Flue pipe



Boiler descaling cap



Steam vent and chamber pressure drop safety device



Oven steam vent



Air extraction



Normal water inlet



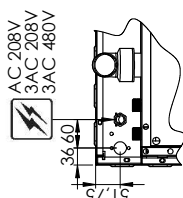
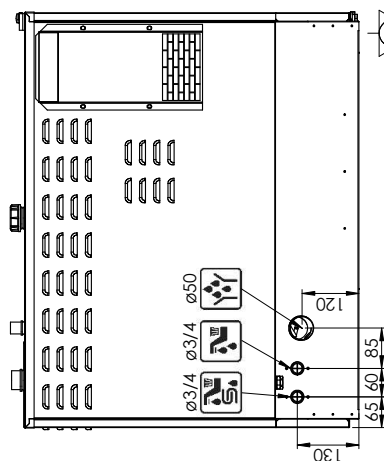
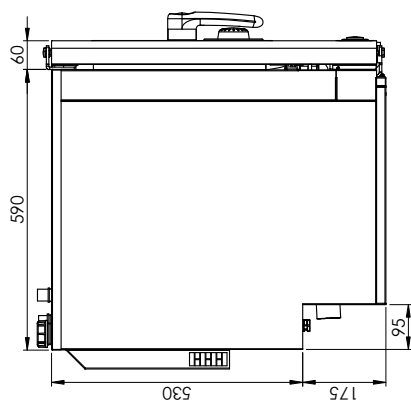
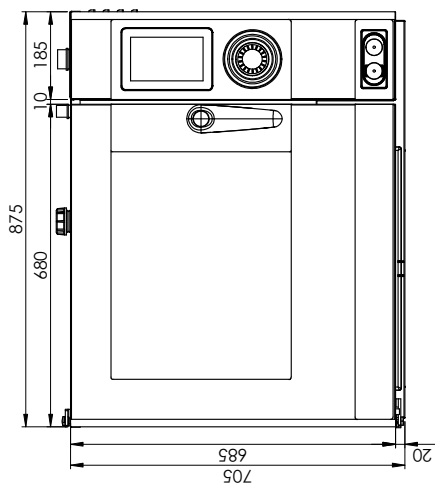
Softened water inlet



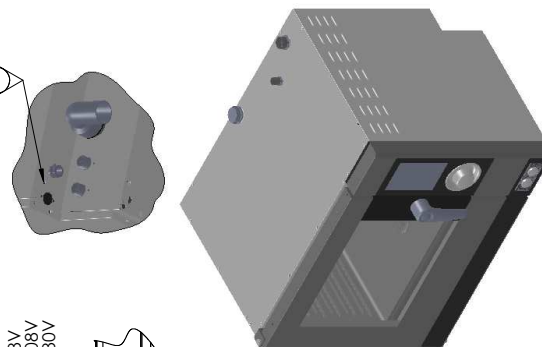
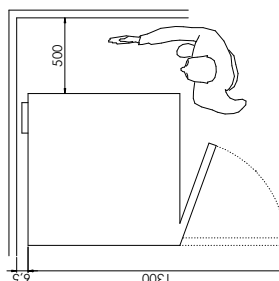
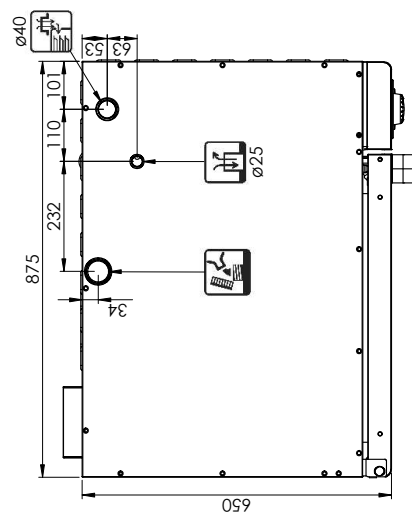
Liquid outlet



Steam trap

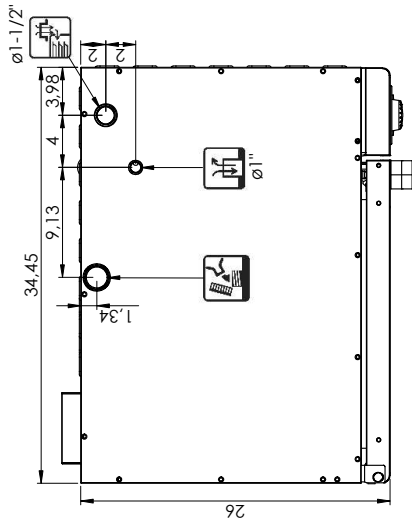
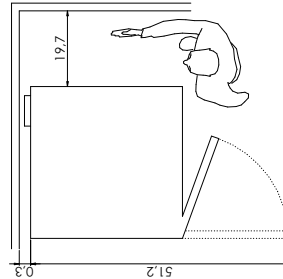
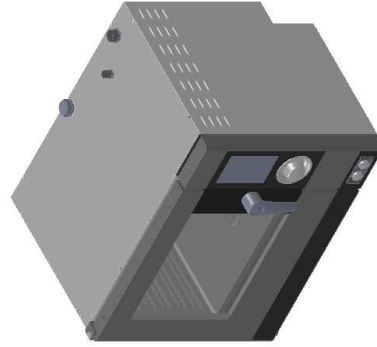
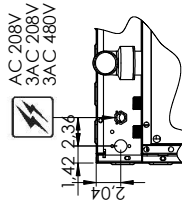
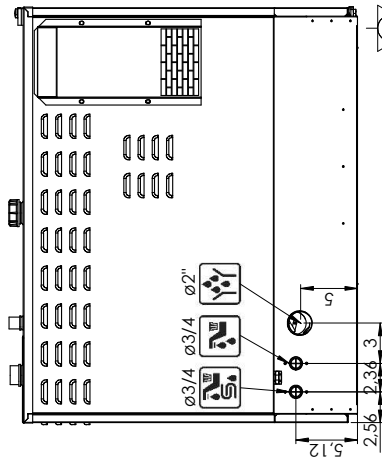
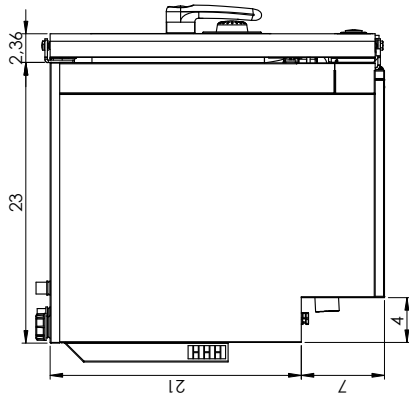
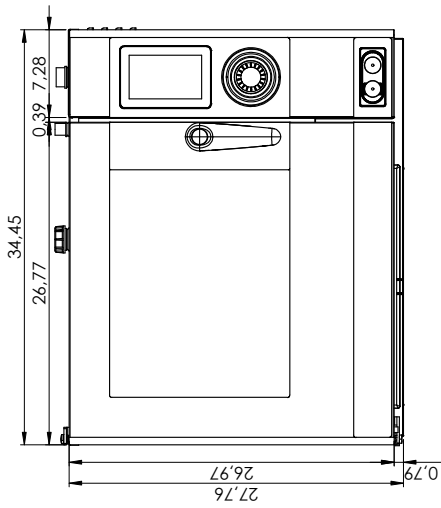


AC 208V
3AC 208V
3AC 480V



According to CE rules, gas ovens must be installed where proper evacuation of burnt gas can be provided (type B13, B23, A3)

The data reported in this document is to be considered non-binding. Lainox ALI S.p.A reserves the right to make changes at any time, without prior notice



According to CE rules, gas ovens must be installed where proper evacuation of burnt gas can be provided (type B13, B23, A3)