

Sotto™ 50 Undercounter Ice Machine

50Hz UG-050A

UG-050W



Sotto is the perfect solution for venues where just a few large cubes in the glass is preferred.

- Industry Leading Performance
- Intuitive Control System
- Redesigned Refrigeration System Yields up to 43% More Ice
- Slide-out Air Filter
- Tool-Free Foodzone
- High grade stainless steel exterior
- Large, Clean, Clear, 20g Gourmet Cube



Levelers

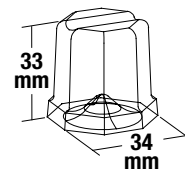


Levelers standard.



Adjustable legs (from 101-152mm) available with optional leg kit K-00345.

Ice Shape



Manitowoc Deutschland GmbH
 Auf der Weih 11
 35745 Herborn
 Germany
 Tel: 0 27 72 - 5805 0
 Fax: 0 27 72 - 5805 70
 E-mail: info@manitowoc-de.com
www.manitowoc-de.com

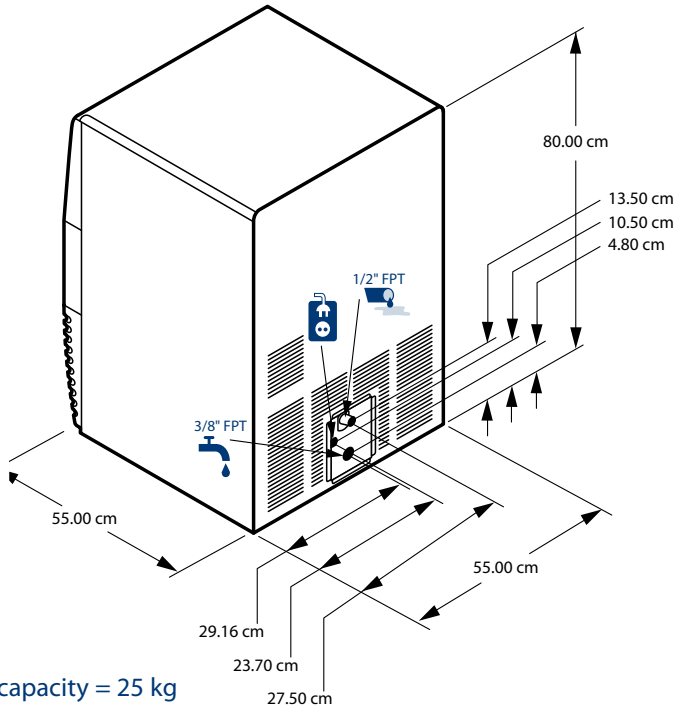
Manitowoc Foodservice Iberia, S.A.U.
 C/ Textil, 6 Pol. Ind. La Ferreria
 08110 Montcada i Reixac Barcelona
 Barcelona Spain
 Tel: (+34) 902 20 10 69
 Fax: (+34) 93 348 15 09
 E-mail: info@manitowocfsi.es
www.manitowocfs.es

Manitowoc Foodservice UK
 Ashbourne House
 The Guildway, Old Portsmouth Rd.
 Guildford GU3 1LR
 United Kingdom
 +44 1483 464 900
www.manitowocfsuk.com

Manitowoc EMEA
www.manitowocice.com/emea
Manitowoc China
www.manitowoc.com.cn
Manitowoc Latin America
www.manitowoclatam.com



UG-50



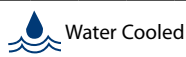
Minimum		Maximum
10°C		43°C
10°C		32°C
20psi 140 kPa		80psi 550 kPa
3.0 2.8	A	
		15 Amps



°C	10	21	32	
10	62.8	56.6	50.4	kg
21	55.3	51.8	48.3	kg
32	45.6	43	41	kg
38	40.3	37.3	34.2	kg
43	39.9	30	28.1	kg



°C	10	21	32	
10	53.6	50.2	46.8	kg
21	52.3	48.7	45.2	kg
32	50.2	47.4	45	kg
38	49.1	45.2	41.3	kg
43	47.7	44	40.3	kg



	+C		[kWh] - 100 kg	[l/h]
UG-050A			16.6*	1.3
UG-050W			15.2*	1.2

*Rating at 21°C air temperature and 10°C water temperature.

* This product is hermetically sealed and contains fluorinated greenhouse gas R404a

Manitowoc Deutschland GmbH
Auf der Weih 11
35745 Herborn
Germany
Tel: 0 27 72 - 5805 0
Fax: 0 27 72 - 5805 70
E-mail: info@manitowoc-de.com
www.manitowoc-de.com

Manitowoc Foodservice Iberia, S.A.U.
C/ Textil, 6 Pol. Ind. La Ferreria
08110 Montcada i Reixac Barcelona
Barcelona Spain
Tel: (+34) 902 20 10 69
Fax: (+34) 93 348 15 09
E-mail: info@manitowocfsi.es
www.manitowocfs.es

Manitowoc Foodservice UK
Ashbourne House
The Guildway, Old Portsmouth Rd.
Guildford GU3 1LR
United Kingdom
+44 1483 464 900
www.manitowocfsuk.com

Manitowoc EMEA
www.manitowocice.com/emea
Manitowoc China
www.manitowoc.com.cn
Manitowoc Latin America
www.manitowoclatam.com