



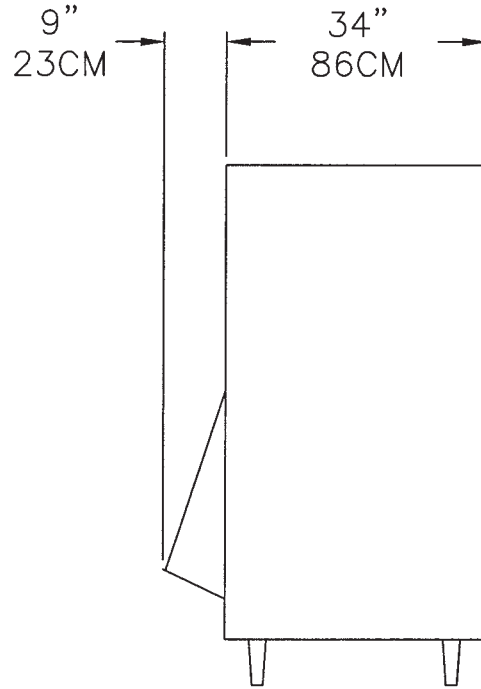
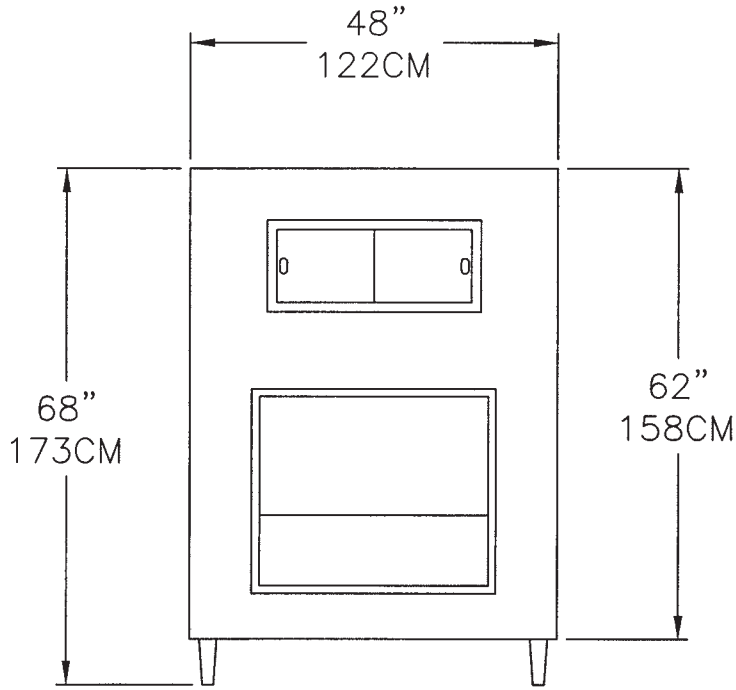
MODEL B1315

ICE STORAGE BIN



FEATURES:

- Corrosion free stainless steel cabinet
- Easy-to-access door design
- High impact polyethylene lining
- View window for instant inspection
- Fully gasketed bin



ARI CERTIFIED STORAGE CAPACITY*	ICE APPLICATION STORAGE CAPACITY	EMPTY WEIGHT	SHIPPING WEIGHT
1160 lb (526.2 kg)	1315 lb (596.5 kg)	325 lb (147 kg)	360 lb (164 kg)

* Certified in accordance with ARI Standard 820-88

PART NUMBER	DESCRIPTION	ICE MAKER APPLICATION
569200172	Ice Storage Bin B1315SBB	*1448, 1848 and 2148 Cuber Series

*Bin adapter included

TECHNICAL SPECIFICATIONS:

DRAIN CONNECTION 1" (3 cm) fitting can be adapted to plastic, copper or galvanized drain line

CABINET FINISH: B1315SBB . . . Stainless steel exterior with polyethylene bin liner

WARRANTY 1 year parts and labor

AGENCY LISTINGS  



© 2011 IMI CORNELIUS

IN THE U.S.A.
Ph: 800.238.3600
Fax: 800.258.0255

OUTSIDE THE U.S.A.
Ph: 763.488.8200
Email: webmaster@cornelius.com

101 Broadway Street West
Osseo, MN 55369
www.cornelius.com

For more information or to place an order, contact your sales representative or authorized distributor.