



40 SERIES

ICE STORAGE BINS

B842SS



B1048P



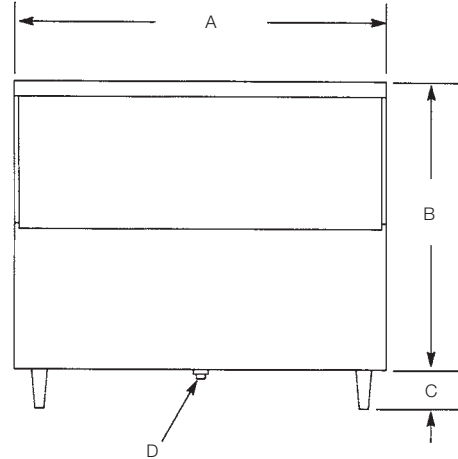
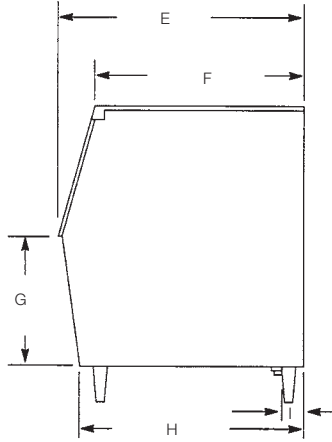
B1048SS



FEATURES:

- Gray enamel cabinet finish
- Stainless steel door
- High-impact polyethylene lining
- Environmentally friendly, non-CFC foam insulation
- Optional all stainless steel exterior

DIMENSIONS									
UNIT	A	B	C	D	E	F	G	H	I
B842	42" (107 cm)	42" (107 cm)	6" (15 cm)	21" (53 cm)	32" (81 cm)	27.5" (70 cm)	27.1 (70 cm)	28.5" (72 cm)	3.63" (9 cm)
B1048	48" (122 cm)	42" (107 cm)	6" (15 cm)	24" (61 cm)	32" (81 cm)	27.5" (70 cm)	27.1 (70 cm)	28.5" (72 cm)	3.63" (9 cm)



PART NUMBER	ARI CERTIFIED CUBE STORAGE CAPACITY*	ICE APPLICATION STORAGE CAPACITY	EMPTY WEIGHT	SHIPPING WEIGHT
B842P	580 lb (263 kg)	800 lb (363 kg)	128 lb (58 kg)	160 lb (73 kg)
B842SS	580 lb (263 kg)	800 lb (363 kg)	128 lb (58 kg)	160 lb (73 kg)
B1048P	670 lb (263 kg)	1000 lb (455 kg)	147 lb (67 kg)	182 lb (83 kg)
B1048SS	670 lb (263 kg)	1000 lb (455 kg)	147 lb (67 kg)	182 lb (83 kg)

* Certified in accordance with ARI Standard 820-88

TECHNICAL SPECIFICATIONS:

DRAIN CONNECTION: 1" (3 cm) fitting can be adapted to plastic, copper or galvanized drain line

CABINET FINISH: B842P: Gray baked enamel exterior with Polyethylene bin liner, Stainless steel door
 B842SS: Stainless steel exterior with Polyethylene bin liner, Stainless steel door
 B1048P: Gray baked enamel exterior with Polyethylene bin liner, Stainless steel door
 B1048SS: Stainless steel exterior with Polyethylene bin liner, Stainless steel door

WARRANTY: 1 year parts and labor

AGENCY LISTINGS:  



IN THE U.S.A.
 Ph: 800.238.3600
 Fax: 800.258.0255

OUTSIDE THE U.S.A.
 Ph: 763.488.8200
 Email: webmaster@cornelius.com

101 Broadway Street West
 Osseo, MN 55369
 www.cornelius.com