

PROJECT:	
MODEL #:	
ITEM #:	QTY:
AVAILABLE W/H:	APPROVAL:

Glass Door Merchandiser



BKGM23-HC



BKGM49-HC



BKGM72-HC

STANDARD FEATURES

Cabinet construction

- Black or white painted steel exterior and white painted steel interior.
- High density foamed in place polyurethane insulation – Environmentally safe.
- Sturdy, epoxy coated wire shelves with adjustable shelving height.
- 4 shelves for each compartment
- 2.5" Diameter swivel casters with front brakes. Four casters on one- and two-door models and six on three-door models (two casters on each model have front brakes)

Refrigeration

- Hydrocarbon refrigerants (R-290) – increases energy efficiency by up to 25% compared to using HFC refrigerants. It is safer for the environment and does not cause ozone depletion.
- Front sliding refrigeration unit allows the unit to be serviced without being moved.
- Self-contained system, bottom mounted compressor provides quick and easy maintenance

- Epoxy coated evaporator reduces potential corrosion.
- Refrigerator has a temperature range between 33°F ~ 39°F

Doors

- Self closing doors (doors close at 90° or less) Automatic hold open door feature at 110° Durable door gasket with easy replacement.
- Heavy duty recess door handles
- Door designed to open easily. Doors built with pressure relievers to eliminate vacuum pressure and allow easy door opening.
- Standard door locks
- Double pane glass

Design & Features

- Digital temperature control & monitor system Keep food products safe by maintaining constant temperatures.
- Digital display allows for easy monitoring.

- Programs interpret the condition of refrigeration systems by self-diagnosis.
- Controls include automatic evaporator fan motor delays.

Lighting

- LED backlit graphic panel
- Interior Vertical LED lighting

Standard

- NSF/ANSI Standard 7 compliant

Connection

- 9 ft long flexible three wire cord with molded plug

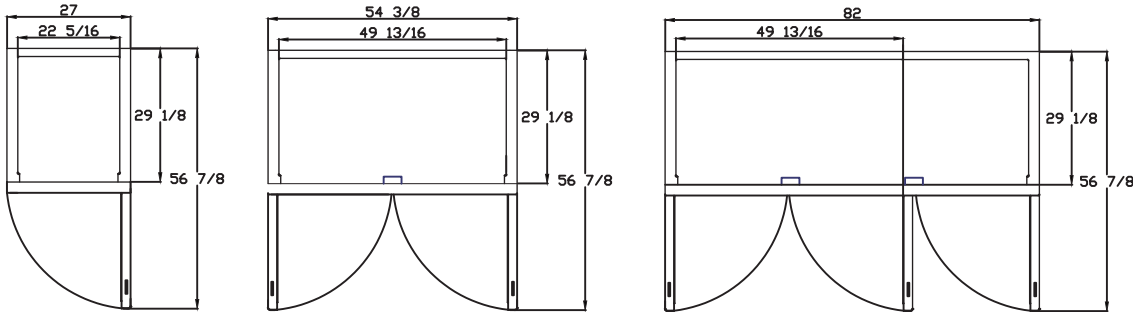
Optional Features & Accessories

- Additional shelves are available

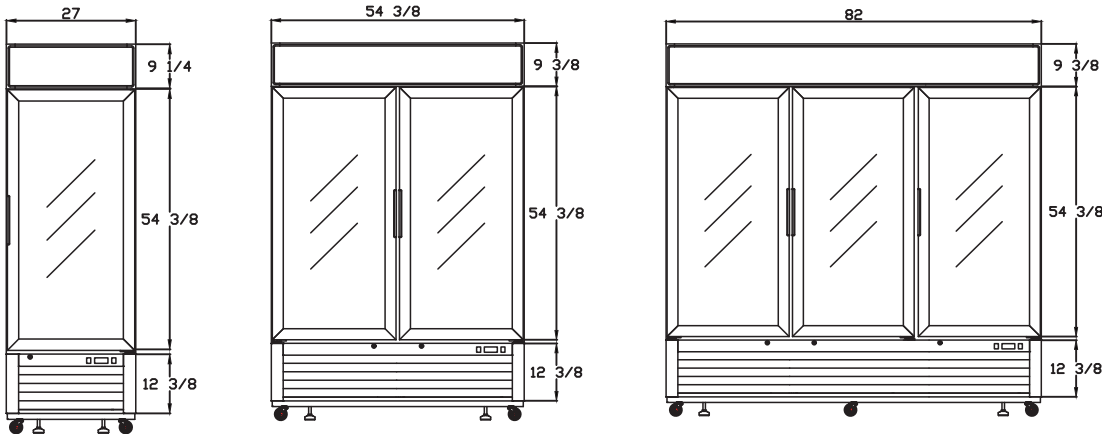
Glass Door Merchandiser

PRODUCT PLAN VIEW

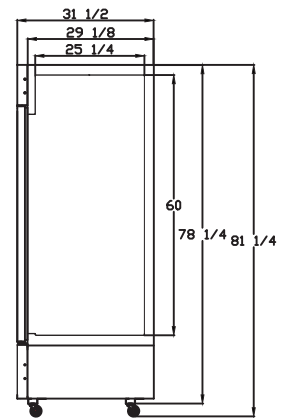
- Top View -



- Front View -



- Side View -



BKGM23-HC

BKGM49-HC

BKGM72-HC

PRODUCT SPECIFICATION

Model	Product Description						Refrigerant			Temperature Range	
	Glass Door Merchandiser Refrigerator						R-290			33 ~ 39 °F	
	Easy Maintenance				Voltage		NEMA Config.			Cord Length (ft/m)	
	Sliding Condensing Unit				115V/60Hz		NEMA5-15			9.8ft (3m)	
	Doors	Capacity (Cu. Ft.)	Shelves	Cabinet Dimensions (inches / mm)			Foot	HP	Amps	Net Weight (lbs/kg)	Ship Weight (lbs/kg)
			L	D	H						
BKGM23-HC	1 Swing Door	23	4	27" (685mm)	31 1/2" (800mm)	81 1/4" (2065mm)	4 Casters	1/7	2.1	293 (133)	324 (147)
BKGM49-HC	2 Swing Doors	49	8	54 3/8" (1382mm)	31 1/2" (800mm)	81 1/4" (2065mm)	4 Casters	1/7	3.2	485 (220)	545 (247)
BKGM72-HC	3 Swing Doors	72	12	82" (2079mm)	31 1/2" (800mm)	81 1/4" (2065mm)	6 Casters	1/4	4.2	653 (296)	758 (265)

*BLUE AIR has the right to change specifications without further notice.