

MODEL NUMBER: QS-MSS-24 &
QS-MSSH-24

Item No. _____
Project No. _____
S.I.S. No. _____

Mobile Sanitary Sink

OVERVIEW | SPECIFICATIONS | FEATURES



Overview

The QualServ Mobile Sanitary Sink combines a food grade compliant **hot water sink** with a stainless steel cabinet and wash basin.

- The QS-MSS-24 is a durable, well constructed, easily moveable portable hand washing sink ready for rapid deployment.
- A water heater provides the user with on demand hot water. QS-MSS-24 is approved and ready for use in Food Service, Hospitals, Clinics, Nursing Homes, Grocery Stores, anywhere that traditional sink installation methods are too expensive and slow.
- The QS-MSSH-24 model unit comes with no touch faucet and automatic soap and paper towel dispensers.



P: 800.643.2980

E: safeguard@qualservsolutions.com

Visit: www.QualServSolutions.com

7400 S. 28th St. | Fort Smith, AR 72908

Mobile Sanitary Sink

Item No. _____
Project No. _____
S.I.S. No. _____



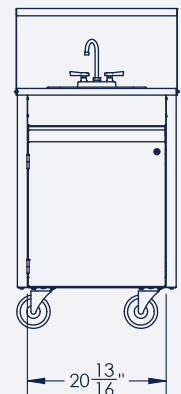
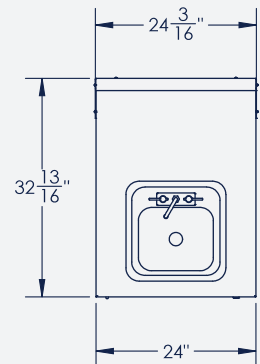
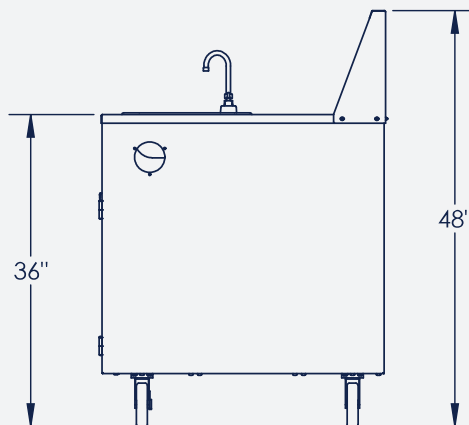
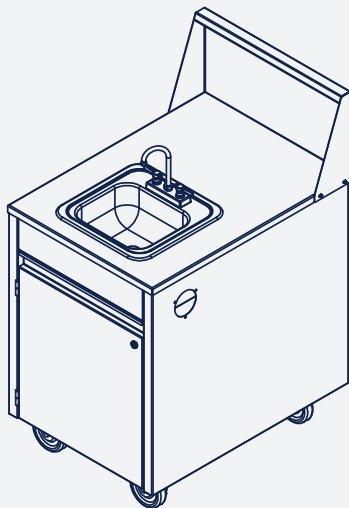
Features

- Product Cabinet/Basic Dimensions: 33"W x 24"D x 36"H / 60" H on QS-MSSH-24 model
- Height With Splash Guard: 48"H
- Product Cabinet Material: Stainless Steel
- Product Number of Basins: 1
- Product Basin Dimensions: 12"W x 10"L x 5.75"D
- Product Basin Material: Stainless Steel
- Product Fresh Water Tank: 5 Gallons
- Product Waste Water Tank: 6 Gallons
- Product Warranty: Industry Leading
- Product Weight: 72 lbs.
- Electrical Requirements: 120V, 1 PH, Nema 5-15P

Specifications

- Stainless Steel Counter and Cabinet
- One Compartment Stainless Steel Basin
- Locking Cabinet
- 5" Swivel Casters (Front Locking)
- On-Demand Hot Water System
- Integrated Pump
- Long Faucet Handles (ADA Compliant)
- Water Tanks: 5 Gal. Fresh and 6 Gal. Waste
- NSF Certified
- Shipped fully assembled
- Plug and play connection
- * Hands Free faucet: QS-MSSH-24 only
- * Hands Free Liquid Soap Dispenser: QS-MSSH-24 only
- * Hands Free Paper Towel Dispenser: QS-MSSH-24 only

Model Number: QS-MSS-24



CALL OR EMAIL US TODAY. WE CAN MAKE ADJUST OPTIONS & CONFIGURATIONS!

P: 800.643.2980
E: safeguard@qualservsolutions.com

7400 S. 28th St.
Fort Smith, AR 72908

P:(+48) 58 785 61 55
E: wkarc@follettice.com

QualServ Europe - Follett Europe
Polska Sp. z o.o.
Mokry Dwor 26c
83-021 Wislina Gdansk / Poland

*Ask about our
Portable Sanitary
Safety Shields!*

