

# 428

## Frozen Beverage Freezer

Single Flavor

### Features

Vary your menu by offering shakes & smoothies or frozen cocktails, fruit juices, coffees, cappuccino and tea slush beverages, all served at the desired thickness. Optimized refrigeration system offers efficient operation in an extremely quiet, compact, self-contained freezer.

#### Freezing Cylinder

One, 7 quart (6.6 liter).

#### Mix Hopper

One, 20 quart (18.9 liter). Refrigerated to maintain mix below 41°F (5°C). Approved for dairy and non-dairy products.

#### Indicator Lights

Add Mix light alerts the operator to add mix. When the Mix Out light flashes, the unit automatically shuts down to prevent damage.

#### Automatic Consistency Control

A specially designed viscosity control automatically maintains superior product quality. An adjustable control allows the operator to serve a wide variety of frozen beverages at the desired thickness.

#### Standby

During long no-use periods, the standby feature maintains safe product temperatures in the mix hopper and freezing cylinder.

#### Freezer Door

Clear, plastic door merchandises product in the making. Dispensing is quick and easy with a simple movement of the draw handle.

#### Lighted Display

Self-merchandising lighted display backlights the appropriate static cling and downlights the dispensing door. Five static clings are included: Frozen Cappuccino, Frozen Drinks, Margaritas, Shakes, and Smoothies. Lighted area is 5.25" (133.5 mm) high by 11.641 (295.7 mm) wide, with .250" (6.3 mm) radius corners.

#### Air Filter

Removable, cleanable and reusable air filter keeps the condenser clean for optimal refrigeration system performance.



Standard 6 & 18

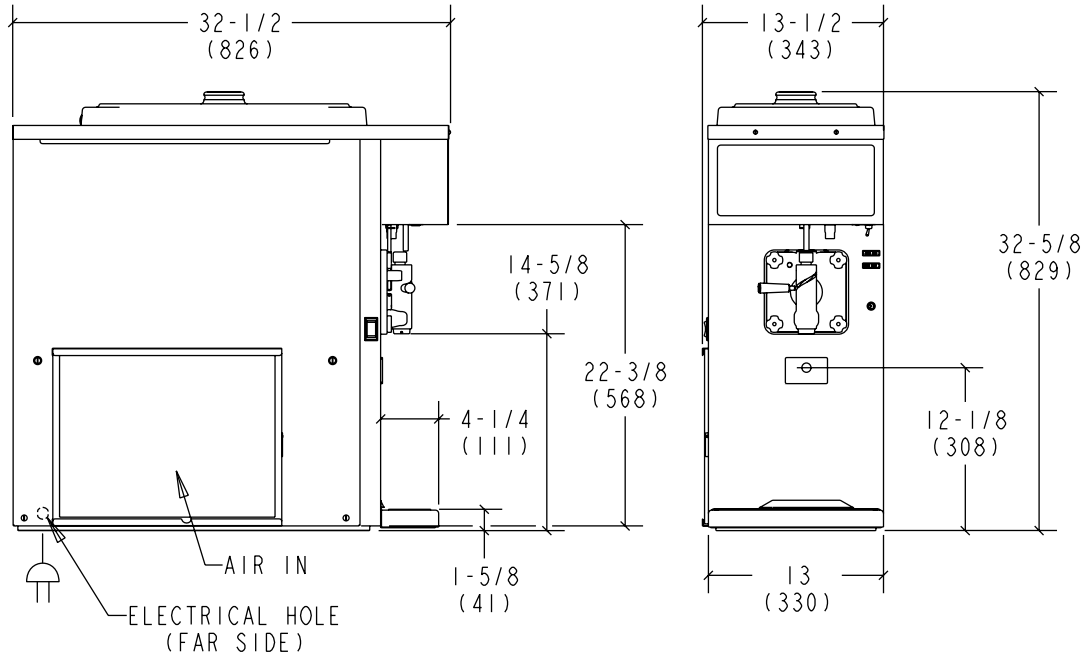


SA2650



Selected 50 Hz. Models

# 428 Frozen Beverage Freezer



NOTE:  
FIGURES IN PARENTHESES  
INDICATE MILLIMETERS.

Weights	lbs.	kgs.
Net	221	100.2
Crated	264	119.8
	cu. ft.	cu. m.
Volume	22.8	0.64

Dimensions	in.	mm.
Width	13-1/2	343
Depth	32-1/2	826
Height	32-5/8	829
Counter Clearance	*	*

\*Designed to rest on a plastic pad directly on counter top.

Electrical	Total Amps	Supplied with NEMA Cord
115/60/1 Air	16.0	5-20P
220-240/50/1 Air	7.0	----

This unit may be manufactured in other electrical characteristics. Refer to the local Taylor Distributor for availability.  
(For exact electrical information, always refer to the data label of the unit.)

### Bidding Specs

Electrical: Volt \_\_\_\_\_ Hz \_\_\_\_\_ ph \_\_\_\_\_  
Neutral:  Yes  No    Cooling:  Air  Water  NA

Options: \_\_\_\_\_

### Specifications

#### Electrical

One dedicated electrical connection is required. See the Electrical chart for the proper electrical requirements. Manufactured to be cord connected. Consult the international Taylor distributor for cord & receptacle specifications for 50 Hz. equipment.

#### Refrigeration System

One, approximately 3,600 BTU/hr compressor. R404A.  
(BTUs may vary depending on compressor used.)

#### Beater Motor

One, 1/2 HP.

#### Air Cooled

Minimum Clearance: 6" (152 mm) on both sides. It is recommended to place the rear of the unit against the wall. Minimum air clearances must be met to assure adequate air flow for optimum performance.

### Options

- Panel Spinner

Continuing research results in steady improvements; therefore, these specifications are subject to change without notice.



**Taylor Company,**  
A Division of Carrier Commercial Refrigeration, Inc.  
Rockton, Illinois 61072  
815-624-8333 800-255-0626 Fax 815-624-8000  
www.taylor-company.com