

# 161

## Soft Serve Freezer

Compact Twin Twist, Taylormate®

### Features

Offer all the popular soft serve variations from low or non-fat ice creams to custard, yogurt and sorbet. Serve two separate soft serve flavors, or an equal combination of both in a twist.

### Freezing Cylinder

Two, 1.5 quart (1.4 liter).

### Mix Hopper

Two, 8 quart (7.6 liter). Separate hopper refrigeration (SHR) maintains mix below 41°F (5°C) in Auto and Standby modes.

### Indicator Lights

The Mix Low light alerts the operator to add mix. Audible alarm may be enabled to sound when mix is low.

### Electronic Controls

Finished product quality is monitored by Softech™ controls that measure viscosity.

### Standby

During long no-use periods, the standby feature maintains safe product temperatures in the mix hopper and freezing cylinder.

### Air Filter

Easily removable, cleanable air filter helps keep condenser clean for optimal refrigeration system performance.

### Door Interlock System

Protects the operator from injury as the beater will not operate without the dispensing door in place.



Shown with optional cart



Standard 6



SA2650

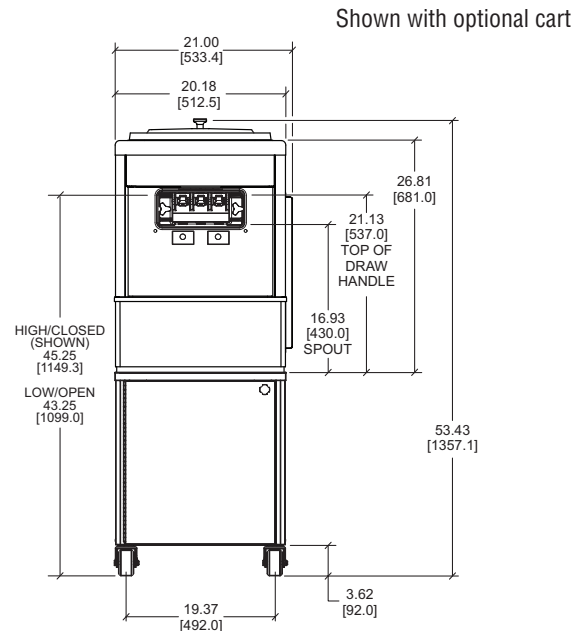
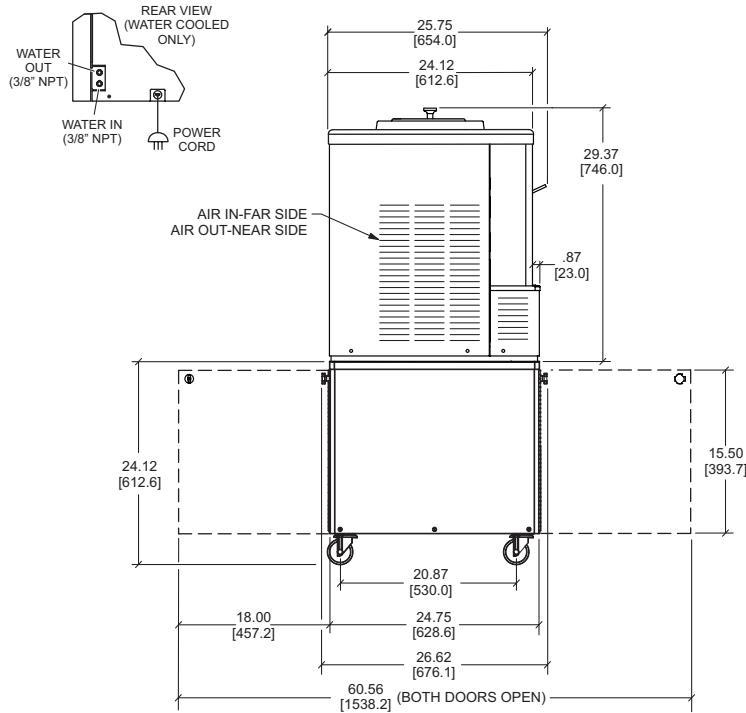


Selected 50 Hz. Models

Optional cart recommended for self service application to meet Americans with Disabilities Act (ADA) dispensing height.

# 161 Soft Serve Freezer

161



FIGURES IN BRACKETS INDICATE MILLIMETERS / DECIMAL AND FRACTIONAL DIMENSIONS EQUAL TO ( PLUS OR MINUS 1/16 INCH [1.5mm] ).

Weights	lbs.	kgs.
Net	305	138.3
Crated	350	158.8
	cu. ft.	cu. m.
Volume	22.3	0.63
Dimensions	in.	mm.
Width	21	533
Depth	25-3/4	654
Height	29-3/8	746
Counter Clearance	----	----

Designed to rest on a plastic pad directly on counter top or optional cart.

Electrical	Total Amps	Supplied with NEMACord
208-230/60/1 Air	12.0	6-15P
208-230/60/1 Water	12.0	6-15P
220-240/50/1 Air	10.0	----
220-240/50/1 Water	10.0	----

This unit may be manufactured in other electrical characteristics. Refer to the local Taylor Distributor for availability.

(For exact electrical information, always refer to the data label of the unit.)

## Bidding Specs

Electrical: Volt \_\_\_\_\_ Hz \_\_\_\_\_ ph \_\_\_\_\_  
Neutral: Yes No **Cooling:** Air Water NA

Options: \_\_\_\_\_

## Specifications

### Electrical

One dedicated electrical connection is required. See the Electrical chart for the proper electrical requirements. Manufactured to be cord connected. Consult the international Taylor distributor for cord & receptacle specifications for 50 Hz. equipment.

### Beater Motor

Two, 0.5 HP

### Refrigeration System

One, 3,500 BTU/hr compressor (nominal rating). R404A.  
Separate Hopper Refrigeration (SHR), One, 400 BTU/hr. R134a.  
(Actual BTUs will vary based on application.)

### Air Cooled

Minimum Clearance: 6" (152 mm) on left and right, and 0" in the rear.  
Minimum air clearances must be met to assure adequate air flow for optimum performance.

### Water Cooled

Water inlet and drain connections out of rear 3/8" FPT.

## Options

- Cart with casters - recommended for self service to meet ADA compliant dispensing height  
Net Weight: 105 lbs. (47.6 kg)  
Crated Weight: 130 lbs. (59.0 kg)
- Cone Dispenser
- Legs - [increase height of unit by 4-1/4" (108 mm)]

Continuing research results in steady improvements; therefore, these specifications are subject to change without notice.



Taylor Company,  
Rockton, Illinois 61072  
815-624-8333 **800-255-0626** Fax 815-624-8000  
[www.taylor-company.com](http://www.taylor-company.com)

055156-ADV

5/14